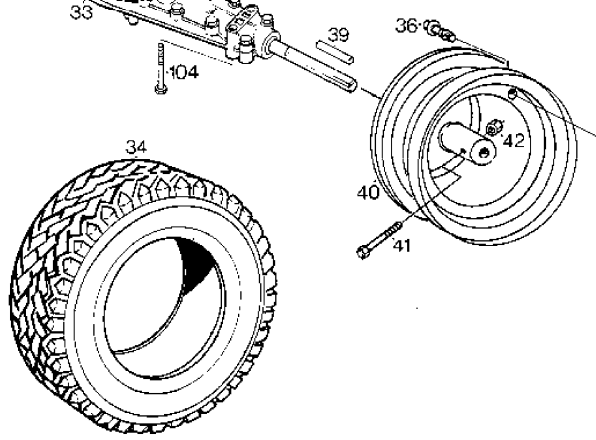
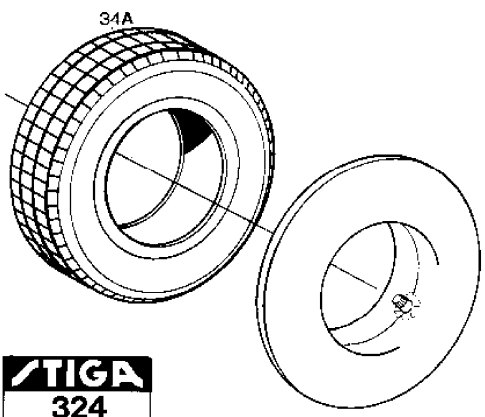


test



71

## Section: PARK 2002 HST TRANSMISSION

Pos.	Quantity	Spare part No	Description	Kit	Notes	New
	1318					
	1338					
	1358					
2	1	1134-2739-01	Pedal			
4	2	1134-2780-01	Bearing			
5	2	1134-2700-01	Bracket			
6	6	9959-0820-16	Screw			
7	7	9739-0831-22	Nut			
8	1	1134-2703-01	Lever			
9	1	9799-1031-02	Nut			
10	1	1134-9027-01	Tension roller			
11	1	1134-0054-01	Spacer			
12	1	1134-2766-01	Speed control wire			
13	1	1134-9013-01	V-belt			
14	2	9595-0235-00	Locating pin			
15	1	1134-2015-03	Tension arm			
16	1	1134-0645-00	Spring			
17	1	9997-1030-16	Screw			
19	1	9987-5332-16	Screw			
20	1	9997-0840-16	Screw			
21	1	1134-2840-01	Washer			
22	2	9548-0015-00	Bronze bearing			
23	1	9699-0037-02	Washer			
24	1	9652-0010-04	Snap ring			
26	1	1134-2726-01	Bracket			
28	1	9959-1030-16	Screw			
29	4	9699-0029-02	Flat washer			
30	1	9549-0004-00	Ball bearing			
31	1	9799-1031-02	Nut			
32	1	9997-0865-12	Screw			
33	1	1134-2800-01	Transaxle			
34	2	9545-0103-00	Tyre-tubeless			
34A	2	9545-0116-00	Tyre		Frankrike (F)	
34A		9545-0203-00	Inner tube			
35	1	1134-0266-00	Attaching clamp			
36	2	9545-0500-00	Valve			
37	2	9997-0520-16	Screw			
38	2	9942-0816-16	Screw			
39	2	1134-2471-01	Key			
40	2	1134-3175-01	Rim-rear			
41	2	9988-3645-16	Screw			
42	2	9743-3621-32	Nut			
45	1	1134-2721-01	Control rod			
46	1	1134-2786-01	Plastic knob			
47	1	1134-2789-01	Bracket			
48	1	1134-2790-01	Rubber grommet			
50	1	9959-0816-16	Screw			
51	1	9675-0012-02	Locking washer			
52	4	9570-0001-00	Elbow link			
53	1	1134-2801-02	Hydrostatic transm.			
54	2	9997-0840-16	Screw			
55	2	9997-0812-02	Screw			
56	3	1134-2758-01	Spacer			
57	4	9699-0028-02	Flat washer			
59	1	1134-2708-01	Stay			
62	1	1134-1565-01	Spacer			
63	1	1134-2737-01	Belt pulley			
64	1	1134-2776-01	Key			
65	1	1134-3552-01	Fan			
66	1	1134-2714-01	Washer			
67	5	9959-0612-16	Screw			
70	1	1134-2783-01	Nipple			
71	2	1134-2653-01	Nipple			
72	2	9578-0016-01	Clamp			
73	1	1134-2729-01	Arm			
74	1	1134-2707-01	Arm			
79	3	9699-0090-02	Flat washer			
80	1	9959-0830-16	Screw			
83	6	9747-0831-02	Lock nut			

## Section: PARK 2002 HST TRANSMISSION

Pos.	Quantity	Spare part No	Description	Kit	Notes	New
	1318					
	1338					
	1358					
84	1	1134-2765-02	Oil tank			
85	1	1134-2777-02	.Filler cap			
86	1	1134-2778-01	Retainer strap			
87	2	9997-0612-16	Screw			
88	2	9739-0631-22	Nut			
89	2	9579-0003-00	Cable holder			
90	1	1134-2717-01	Engine pulley			
93	1	1134-2916-01	Cabel			
94	1	1134-2774-01	Switch			
95	1	1134-2767-01	Nut			
99	1	4231-0013-00	Spring			
101	1	1134-2724-01	Pivoting plate			
102	1	1134-2713-01	Arm			
103	1	9997-0835-12	Screw			
104	4	9997-0870-16	Screw			
105	1	9997-0835-12	Screw			
108	10	9739-0531-22	Nut			
109	1	1134-2779-01	Tube			
110	2	9942-0612-16	Screw			
111	1	1134-2734-01	Rod			
112	1	1134-2727-01	Bracket			
113	1	1134-0267-00	Clamp plate			
114	1	1134-2843-01	Spring			

test